

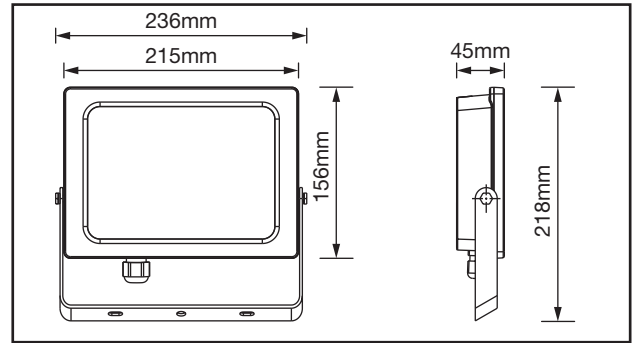
AFL050/CCT/**

50W IP65 Slim Design
CCT Selectable Floodlight



PRODUCT FEATURES

- IP65 Rating
- CCT Selectable (3000K/4000K/6000K)
- Push Terminals For Quick Install
- Built-In Junction Box
- Easy-Install Angled Bracket
- 360° Swivel Bracket
- Prismatic Toughened Glass
- Slimline Diecast Aluminium Body



TECHNICAL SPECIFICATIONS

PRODUCT CODE	AFL050/CCT/**
Rated Power	50W
Housing Colour	Textured Black
Operating Voltage	220-240V
Frequency	50-60Hz
CRI	>80
Power Factor	>0.9
Beam Angle	120°
Lifetime To LM70	<30,000 Hrs
Operating Temperature	-25°C~+40°C
SDCM	<6
Starting Time	0.5sec
Ingress Protection	IP65
LED Chip Type	SMD2835
Guarantee	2 Years
Useful Luminous Flux: 3000K / 4000K / 6000K	≤3466lm / ≤4376lm / ≤3528lm
CCT	3000K / 4000K / 6000K
Switching Cycles	≤15,000
Peak Intensity 3000K / 4000K / 6000K	1523cd / 1910cd / 1522cd
Class	I



Carbon Black*
AFL050/CCT/BK



Polar White*
AFL050/CCT/WH



*Sold Separately